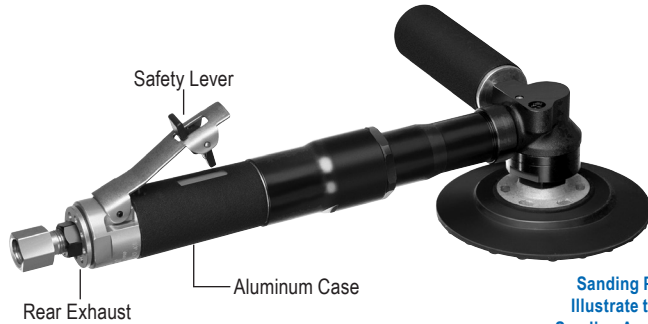


Extended Right Angle Sanders, Buffers & Polishers for Surface Finishing Abrasives

300/310RAE(X)M Series



300RAE3M2K;4000;SP

Sanding Pads Shown on Tools to Illustrate the Sanding Application. Sanding Accessories are Not Supplied as Standard Equipment with Tools.

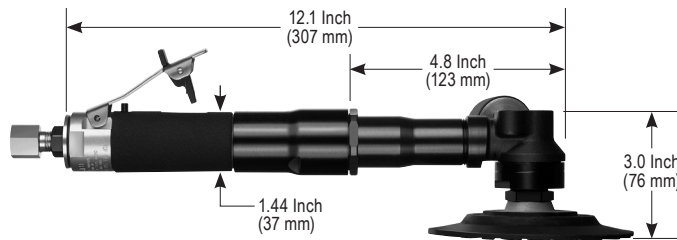
400/410RAE(X)M Series



400RAE3M2R;2900;SP

Recommended Maximum Sanding Pad Size	Rated Speed	Lever Style	MODEL NUMBER	Recommended Maximum Sanding Pad Size	Exhaust Direction	Rated Speed	Lever Style	MODEL NUMBER			
5 Inch (125 mm) 5/8-11 Spindle Output Thread	5200 RPM	Standard Lever	310RAE3M2;5200;SP	5 Inch (125 mm) 5/8-11 Spindle Output Thread	Side	3800 RPM	Standard Lever	410RAE3M2;3800;SP			
		Safety Lever	310RAE3M2K;5200;SP				Safety Lever	410RAE3M2K;3800;SP			
	4000 RPM	Standard Lever	310RAE5M2;4000;SP			2900 RPM	Standard Lever	410RAE5M2;2900;SP			
		Safety Lever	310RAE5M2K;4000;SP				Safety Lever	410RAE5M2K;2900;SP			
	2500 RPM	Standard Lever	310RAE8M2;2500;SP			1800 RPM	Standard Lever	410RAE8M2;1800;SP			
		Safety Lever	310RAE8M2K;2500;SP				Safety Lever	410RAE8M2K;1800;SP			
	1800 RPM	Standard Lever	300RAE8M2;1800;SP			1300 RPM	Standard Lever	400RAE8M2;1300;SP			
		Safety Lever	300RAE8M2K;1800;SP				Safety Lever	400RAE8M2K;1300;SP			
	<p>Note: Other Speeds Available. Contact us for Details</p> <p>Verify the Maximum Rated Speed of the Sanding Accessory is Higher than the Maximum Rated Speed of the Tool.</p>					5/8-11 Spindle Output Thread	Rear	3800 RPM	Standard Lever	410RAE3M2R;3800;SP	
									Safety Lever	410RAE3M2RK;3800;SP	
								2900 RPM	Standard Lever	410RAE5M2R;2900;SP	
									Safety Lever	410RAE5M2RK;2900;SP	
1800 RPM					Standard Lever			410RAE8M2R;1800;SP			
					Safety Lever			410RAE8M2RK;1800;SP			
1300 RPM	Standard Lever	400RAE8M2R;1300;SP									
	Safety Lever	400RAE8M2RK;1300;SP									

RIGHT ANGLE SANDERS



HP 0.7 H.P. (600W)
Lbs 4.2 lbs (1.9 Kg) Aluminum
4.6 lbs (2.1 Kg) Steel

cfm 25 cfm (11.8 L/s) Max
SUPPLY 1/4" NPT Inlet
3/8" (10 mm) Hose Size



HP 1.2 H.P. (900 W)
Lbs 5.0 Lbs. (2.3 Kg) Aluminum
5.6 Lbs. (2.5 Kg) Steel

cfm 35 cfm (16.5 L/s) Max
SUPPLY 3/8" NPT Inlet
1/2" (13mm) Hose Size

STANDARD EQUIPMENT

- Tool
- Operating Instructions and Service Manual
- Wrenches (sizes based on options)

300/310RAE(X)M & 400/410RAE(X)M Alternate Options



Surface Conditioning Abrasive Mounting

