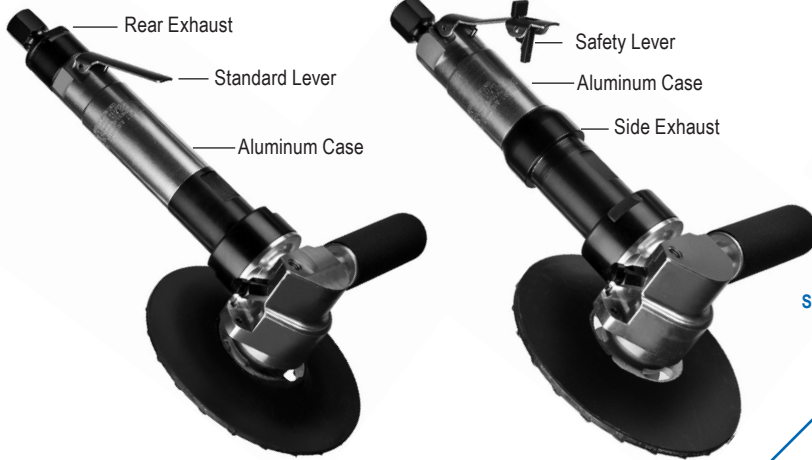


**Extended Right Angle Sanders, Buffers & Polishers for Surface Finishing Abrasives**

**4520RA/4620RA Series**



**520RA Series**



Sanding Pads Shown on Tools to Illustrate the Sanding Application. Sanding Accessories are Not Supplied as Standard Equipment with Tools.

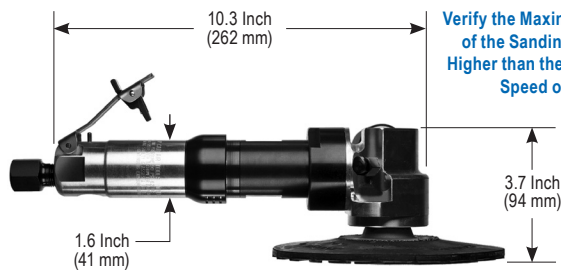
4520RAR;6000;SP

4520RAK;6000;SP

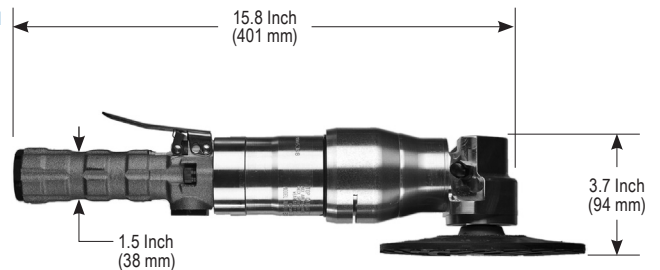
520RAK;8000;SP

Recommended Maximum Sanding Pad Size	Exhaust Direction	Lever Style	MODEL NUMBER	Recommended Maximum Sanding Pad Size	Lever Style	MODEL NUMBER		
5 Inch (125 mm) 5/8-11 Spindle Output Thread	Side	Standard Lever	4620RA;10000;SP		Standard Lever	520RA;8000;SP		
		Safety Lever	4620RAK;10000;SP					
	Rear	Standard Lever	4620RAR;10000;SP				Safety Lever	520RAK;8000;SP
		Safety Lever	4620RAKR;10000;SP					
7 Inch (180 mm) 5/8-11 Spindle Output Thread	Side	Standard Lever	4520RA;6000;SP		7 Inch (180 mm) 5/8-11 Spindle Output Thread	Standard Lever	520RA;8000;SP	
		Safety Lever	4520RAK;6000;SP					
	Rear	Standard Lever	4520RAR;6000;SP			Safety Lever		520RAK;8000;SP
		Safety Lever	4520RAKR;6000;SP					

RIGHT ANGLE SANDERS



Verify the Maximum Rated Speed of the Sanding Accessory is Higher than the Maximum Rated Speed of the Tool.



**HP** 1.2 H.P. (900 W)  
**Lbs** 5.6 Lbs. (2.5 Kg) Aluminum  
6.2 Lbs. (2.8 Kg) Steel

**cfm** 35 cfm (16.5 L/s) Max  
**SUPPLY** 3/8" NPT Inlet  
1/2" (13mm) Hose Size

**HP** 2.0 H.P. (1.5 kW)  
**Lbs** 7.6 Lbs. (3.4 Kg)

**cfm** 20 cfm (9.4 L/s) Free Speed  
40 cfm (18.9 L/s) Max  
**SUPPLY** 3/8" NPT Inlet  
1/2" (13 mm) Hose Size

**STANDARD EQUIPMENT**

- Tool
- Operating Instructions and Service Manual
- Wrenches (sizes based on options)

**4520RA/4620RA Alternate Options**



**Surface Conditioning Abrasive Mounting**

