

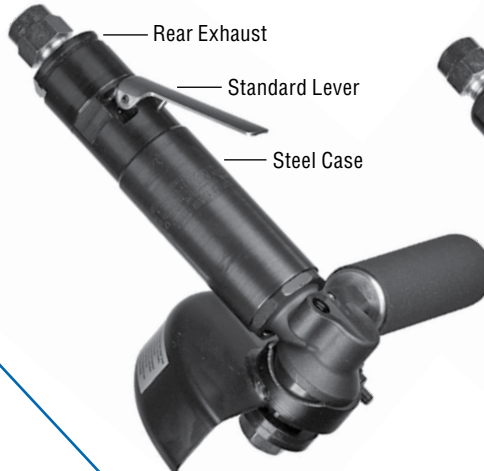
**Short Right Angle Grinders for Type 27, Type 27 Cut-Off (Type 42) & Type 1 Cut-Off (Type 41) Wheels**

**300RA Series**

**400RA Series**



**300RA4K;15000;427**

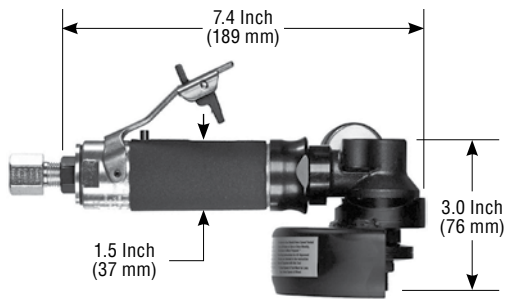


**400RA2RS;10000;4527**



**400RA2SK;10000;4527**

Wheel Size	Exhaust Direction	Lever Style	MODEL NUMBER		Wheel Size	Exhaust Direction	Lever Style	MODEL NUMBER		
			Type 27 Wheels (Type 42)	Type 1 or Type 1 Cut-Off Wheels (Type 41)				Type 27 Wheels (Type 42)	Type 1 or Type 1 Cut-Off Wheels (Type 41)	
4 Inch (100 mm)	Rear	Standard Lever	300RA4;15000;427	300RA4;15000;441	4 1/2 Inch (115 mm)	Side	Standard Lever	400RA2S;10000;4527	400RA2S;10000;4541	
		Safety Lever	300RA4K;15000;427	300RA4K;15000;441			Safety Lever	400RA2SK;10000;4527	400RA2SK;10000;4541	
4 1/2 Inch (115 mm)	Rear	Standard Lever	300RA2;13000;4527	300RA2;13000;4541			Rear	Standard Lever	400RA2RS;10000;4527	400RA2RS;10000;4541
		Safety Lever	300RA2K;13000;4527	300RA2K;13000;4541				Safety Lever	400RA2RSK;10000;4527	400RA2RSK;10000;4541



0.7 H.P. (600 W)



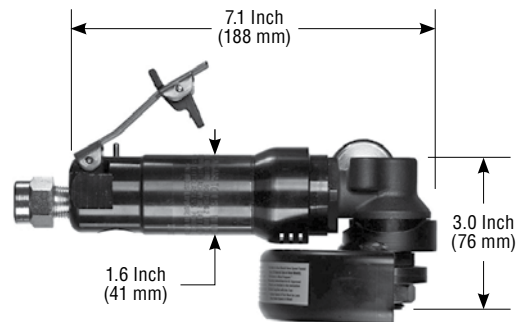
25 cfm (11.8 L/s) Max



2.8 Lbs. (1.3 Kg) Aluminum  
3.2 Lbs. (1.5 Kg) Steel



1/4" NPT Inlet  
3/8" (10 mm) Hose Size



1.2 H.P. (900 W)



35 cfm (16.5 L/s) Max



3.2 Lbs. (1.5 Kg) Aluminum  
3.8 Lbs. (1.7 Kg) Steel



3/8" NPT Inlet  
1/2" (13 mm) Hose Size

**STANDARD EQUIPMENT**

- Tool
- Operating Instructions and Service Manual
- Wrenches (sizes based on options)

Wheel Size



Versions are Available for use with 5 Inch (125 mm) Wheels.

**300RA Alternate Options**

Case Material



Aluminum Case Steel Case

**400RA Alternate Options**

Case Material



Aluminum Case Steel Case

**Wheel Mounting**



Type 27 or Type 27 Cut-Off (Type 42) Wheel



Type 1 or Type 1 Cut-Off (Type 41) Wheel