

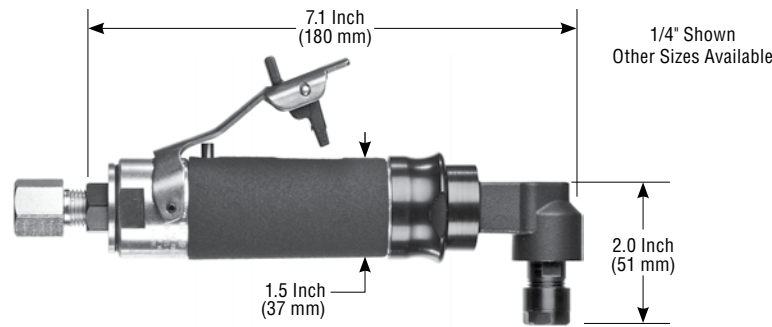
Short Right Angle Collet Grinders

330RAD/340RAD Series



330RADK;12000;1/4

Maximum Rated Operating Speed	Lever Style	MODEL NUMBER
12,000 RPM	Standard Lever	330RAD;12000;1/4
	Safety Lever	330RADK;12000;1/4
20,000 RPM	Standard Lever	340RAD;20000;1/4
	Safety Lever	340RADK;20000;1/4



0.7 H.P.
(600 W)



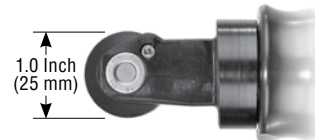
25 cfm
(11.8 L/s) Max



1.6 Lbs. (0.7 Kg) Aluminum
2.0 Lbs. (0.9 Kg) Steel



1/4" NPT Inlet
3/8" (10 mm) Hose Size



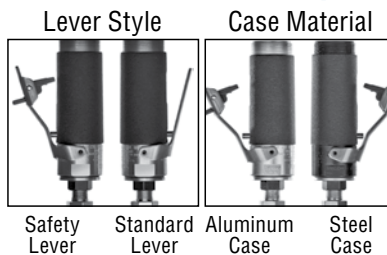
STANDARD EQUIPMENT

- Tool
- Operating Instructions and Service Manual
- Wrenches (sizes based on options)



The ER Heavy Duty Collet is Standard Equipment on 330RAD & 340RAD Series.

330RAD/340RAD Alternate Options



Abrasive Mounting

