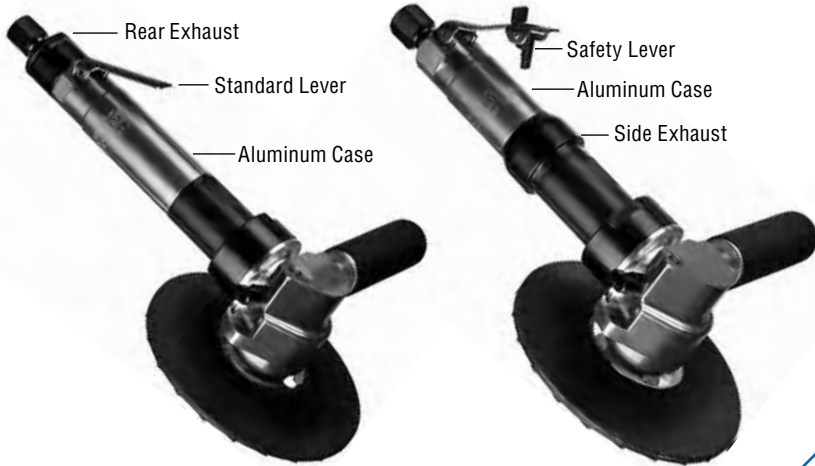


Extended Right Angle Sanders, Buffers & Polishers for Surface Finishing Abrasives

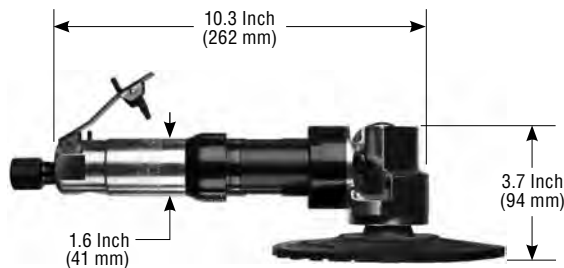
4520RA Series


4520RAR;6000;7SP
4520RAK;6000;7SP

520RA Series

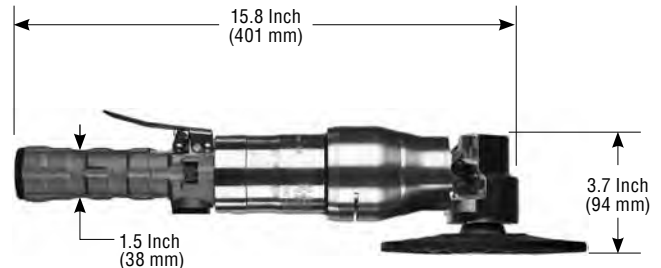

520RAK;8000;7SP

Sanding Pad Size	Exhaust Direction	Lever Style	MODEL NUMBER	Sanding Pad Size	Lever Style	MODEL NUMBER
5 Inch (125 mm) 5/8-11 Spindle Output Thread	Side	Standard Lever	4620RA;10000;5SP			
		Safety Lever	4620RAK;10000;5SP			
	Rear	Standard Lever	4620RAR;10000;5SP			
		Safety Lever	4620RAKR;10000;5SP			
7 Inch (180 mm) 5/8-11 Spindle Output Thread	Side	Standard Lever	4520RA;6000;7SP			
		Safety Lever	4520RAK;6000;7SP			
	Rear	Standard Lever	4520RAR;6000;7SP			
		Safety Lever	4520RAKR;6000;7SP			
				7 Inch (180 mm) 5/8-11 Spindle Output Thread	Standard Lever	520RA;8000;7SP
					Safety Lever	520RAK;8000;7SP


1.2 H.P.
(900 W)

35 cfm
(16.5 L/s) Max

5.6 Lbs. (2.5 Kg) Aluminum
6.2 Lbs. (2.8 Kg) Steel

3/8" NPT Inlet
1/2" (13mm) Hose Size

2.0 H.P.
(1.5 kW)

20 cfm (9.4 L/s) Free Speed
40 cfm (18.9 L/s) Max

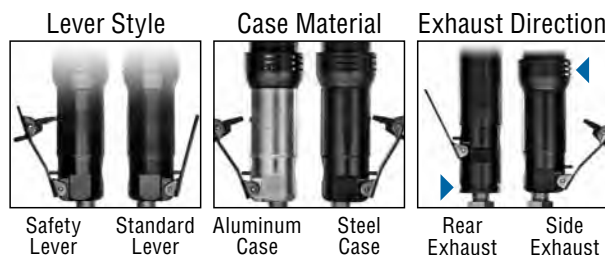
7.6 Lbs. (3.4 Kg)

3/8" NPT Inlet
1/2" (13 mm) Hose Size

STANDARD EQUIPMENT

- Tool
- Operating Instructions and Service Manual
- Wrenches (sizes based on options)

4520RA Alternate Options



Surface Conditioning Abrasive Mounting

