

## Die Grinders (Collet Output)

### 400GE Series



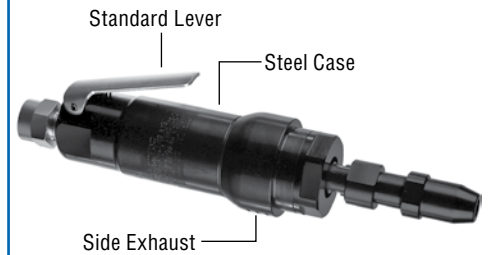
400GESK;20000;1/4

### 400HGE Series



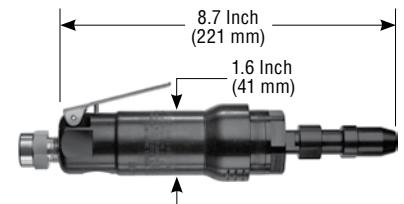
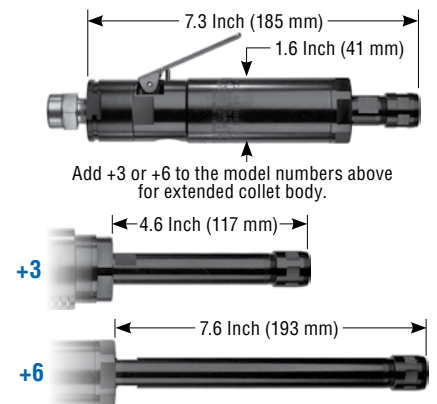
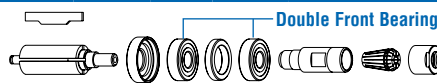
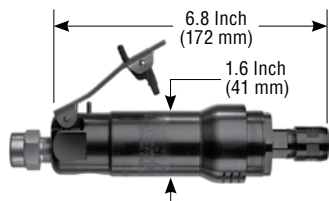
400HGSR;20000;1/4

### 400GT Series



400GTS4;20000;1/4

| Collet Type/Capacity    | Exhaust Direction | Max. Rated Speed | Lever Style        | MODEL NUMBER       | Collet Type/Capacity   | Exhaust Direction | Max. Rated Speed   | Lever Style | MODEL NUMBER       | Collet Type/Capacity         | Exhaust Direction  | Max. Rated Speed | Lever Style | MODEL NUMBER       |
|-------------------------|-------------------|------------------|--------------------|--------------------|------------------------|-------------------|--------------------|-------------|--------------------|------------------------------|--------------------|------------------|-------------|--------------------|
| ER Style Insert Collet  | Side              | 20,000 RPM       | Standard           | 400GES;20000;1/4   | Double Front Bearing   | Side              | 20,000 RPM         | Standard    | 400HGES;20000;1/4  | Bullet Shaped TC-1010 Collet | Side               | 20,000 RPM       | Standard    | 400GTS;20000;1/4   |
|                         |                   | 18,000 RPM       | Safety             | 400GESK;20000;1/4  |                        |                   | 18,000 RPM         | Safety      | 400HGSK;20000;1/4  |                              |                    | 18,000 RPM       | Safety      | 400GTSK;20000;1/4  |
|                         | 18,000 RPM        | Standard         | 400GES;18000;1/4   | 18,000 RPM         |                        | Standard          | 400HGES;18000;1/4  | 18,000 RPM  | Standard           |                              | 400GTS;18000;1/4   |                  |             |                    |
|                         | 18,000 RPM        | Safety           | 400GESK;18000;1/4  | 18,000 RPM         |                        | Safety            | 400HGSK;18000;1/4  | 18,000 RPM  | Safety             |                              | 400GTSK;18000;1/4  |                  |             |                    |
| 3/8 Inch (8 mm) Maximum | Rear              | 20,000 RPM       | Standard           | 400GESR;20000;1/4  | ER Style Insert Collet | Rear              | 20,000 RPM         | Standard    | 400HGSR;20000;1/4  | 1/4 Inch Only                | Rear               | 20,000 RPM       | Standard    | 400GTSR;20000;1/4  |
|                         |                   | 18,000 RPM       | Safety             | 400GESRK;20000;1/4 |                        |                   | 18,000 RPM         | Safety      | 400HGSRK;20000;1/4 |                              |                    | 18,000 RPM       | Safety      | 400GTSRK;20000;1/4 |
|                         | 18,000 RPM        | Standard         | 400GESR;18000;1/4  | 18,000 RPM         |                        | Standard          | 400HGSR;18000;1/4  | 18,000 RPM  | Standard           |                              | 400GTSR;18000;1/4  |                  |             |                    |
|                         | 18,000 RPM        | Safety           | 400GESRK;18000;1/4 | 18,000 RPM         |                        | Safety            | 400HGSRK;18000;1/4 | 18,000 RPM  | Safety             |                              | 400GTSRK;18000;1/4 |                  |             |                    |



**HP** 1.2 H.P. (900 W)  
**cfm** 35 cfm (16.5 L/s) Max  
**Lbs** 1.8 Lbs. (0.8 Kg) Aluminum  
2.4 Lbs. (1.1 Kg) Steel  
**SUPPLY** 3/8" NPT Inlet  
1/2" (13mm) Hose Size

**HP** 1.2 H.P. (900 W)  
**cfm** 35 cfm (16.5 L/s) Max  
**Lbs** 1.8 Lbs. (0.8 Kg) Aluminum  
2.4 Lbs. (1.1 Kg) Steel  
**SUPPLY** 3/8" NPT Inlet  
1/2" (13mm) Hose Size

**HP** 1.2 H.P. (900 W)  
**cfm** 35 cfm (16.5 L/s) Max  
**Lbs** 2.0 Lbs. (0.9 Kg) Aluminum  
2.6 Lbs. (1.2 Kg) Steel  
**SUPPLY** 3/8" NPT Inlet  
1/2" (13mm) Hose Size

### STANDARD EQUIPMENT

- Tool
- Operating Instructions and Service Manual
- Wrenches (sizes based on options)

### 400GE, 400GT & 400HGE Alternate Options



Front Exhaust option is available on all 400 Series Die Grinders.

### Inserted Tool Mounting

