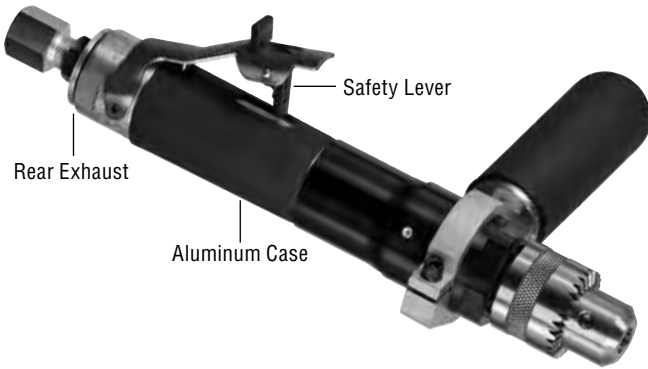


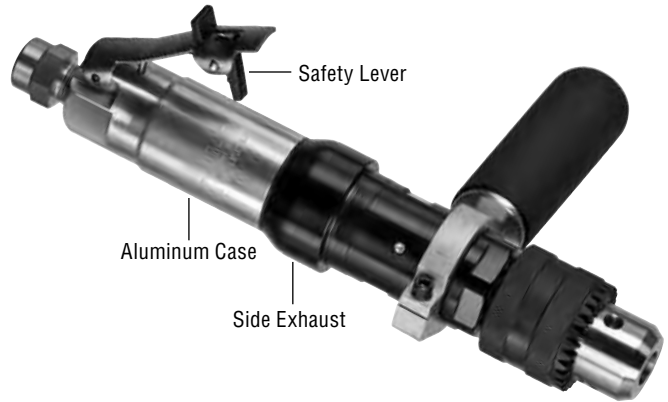
Inline Air Drills

300D(X)M Series



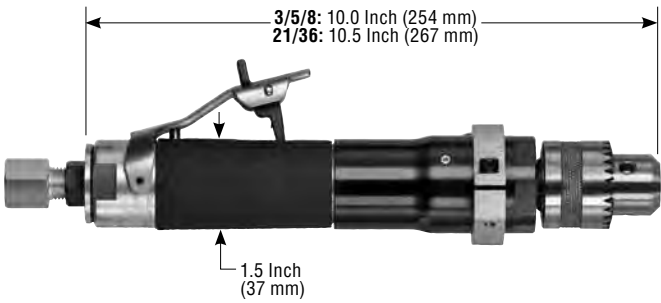
300D3MK;8250;D3/8

400D(X)M Series



400D3MK;5500;D1/2

Output	Gear Ratio/Rated Speed	Lever Style	300 Series MODEL NUMBER	400 Series MODEL NUMBER
300 Series: 3/8" (10 mm) Drill Chuck 400 Series: 1/2" (13 mm) Drill Chuck	3:1 300 Series: 8250 RPM 400 Series: 5500 RPM	Standard Lever	300D3M;8250;D3/8	400D3M;5500;D1/2
		Safety Lever	300D3MK;8250;D3/8	400D3MK;5500;D1/2
	5:1 300 Series: 6000 RPM 400 Series: 4000 RPM	Standard Lever	300D5M;6000;D3/8	400D5M;4000;D1/2
		Safety Lever	300D5MK;6000;D3/8	400D5MK;4000;D1/2
	8:1 300 Series: 3750 RPM 400 Series: 2500 RPM	Standard Lever	300D8M;3750;D3/8	400D8M;2500;D1/2
		Safety Lever	300D8MK;3750;D3/8	400D8MK;2500;D1/2
	21:1 300 Series: 1350 RPM 400 Series: 900 RPM	Standard Lever	300D21M;1350;D3/8	400D21M;900;D1/2
		Safety Lever	300D21MK;1350;D3/8	400D21MK;900;D1/2
	36:1 300 Series: 825 RPM 400 Series: 550 RPM	Standard Lever	300D36M;825;D3/8	400D36M;550;D1/2
		Safety Lever	300D36MK;825;D3/8	400D36MK;550;D1/2



HP 0.7 H.P.
(600 kW)

cfm 25 cfm
(11.8 L/s) Max

Lbs 3/5/8: 3.2 Lbs. (1.4 Kg)
21/36: 3.4 Lbs (1.5 Kg)

SUPPLY 1/4" NPT Inlet
3/8" (10 mm) Hose Size

HP 1.2 H.P.
(900 W)

cfm 35 cfm
(16.5 L/s) Max

Lbs 3/5/8: 4.1 Lbs. (1.9 Kg)
21/36: 4.3 Lbs (1.9 Kg)

SUPPLY 3/8" NPT Inlet
1/2" (13 mm) Hose Size

STANDARD EQUIPMENT

- Tool
- Operating Instructions and Service Manual

300D(X)M & 400D(X)M Series Alternate Options

Case Material



Aluminum Case Steel Case

Lever Style



Safety Lever Regular Lever