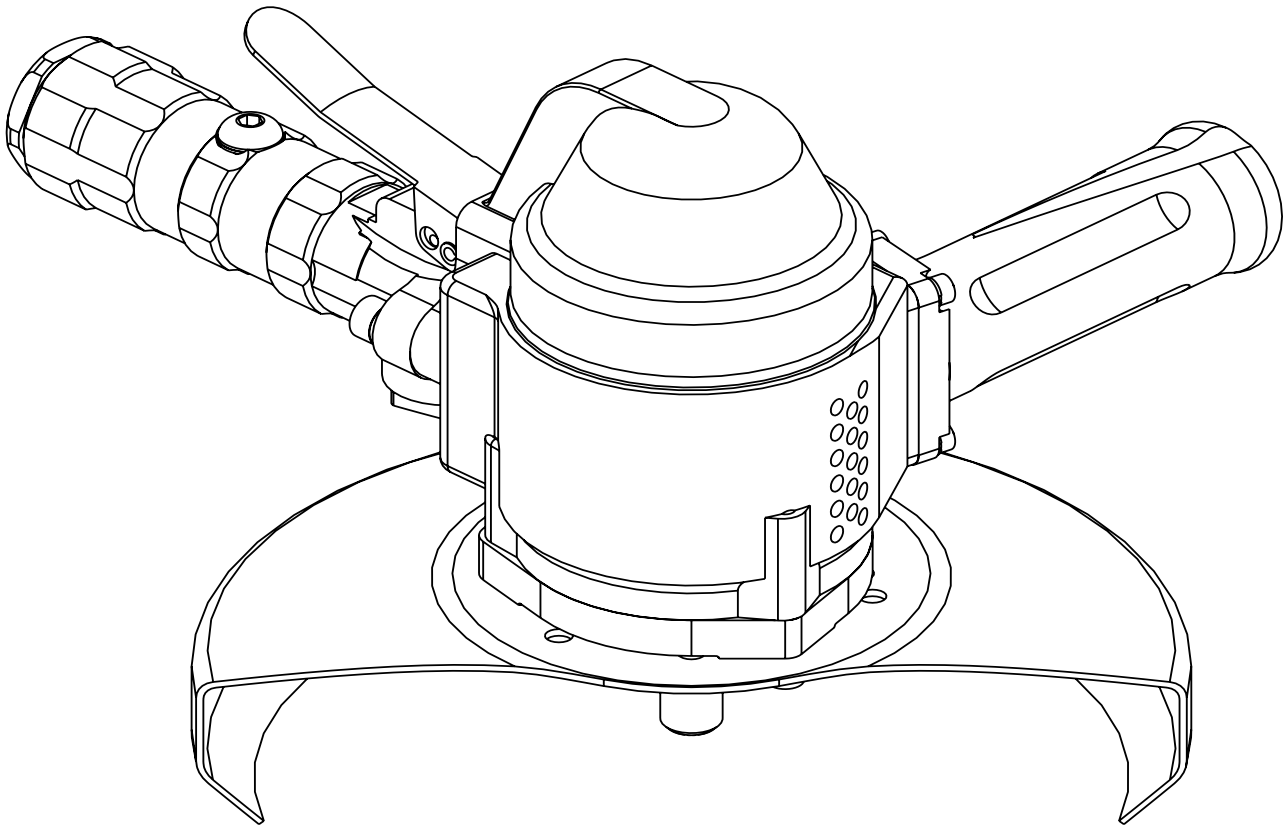
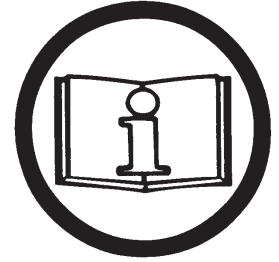




General Operators Instructions and Maintenance Manual



Read Safety Recommendations Before Operating Tool

66AV Series Vertical Grinders													
Model Number	Throttle Type	Power Output		Rated Speed	Weight		Height Over Spindle		Working Air Consumption		Wheel Capacity		
66AVL	Lever	4 H.P.	3.00 Kw	3000-8000 R.P.M.	11.0 Lb.	5.0 Kg	7.7 Inches	196 cm	50 cfm	23.6 L/S	7" (180 mm)	9" (230 mm)	4" (100 mm),
66AVK	Safety Lever										Type 27	Type 27	5" (125 mm) or
66AVB	Thumb Switch										or Type 28	or Type 28	6" (150 mm)
66AVBM	Machine Mount Thumb Switch										Wheels	Wheels	Type 11 Wheels

Top Cat ® Air Tools, Manufactured by T.C. Service Co.

38285 Pelton Road, Willoughby, OH 44094 U.S.A.

Ph: (440) 954-7500 or (800) 321-6876 • Fax: (440) 954-7118 or (877) 800-3589

E-Mail: sales@tcservice.com • Web Site: www.tcservice.com

Operators Instructions and Safety Precautions

This is meant to highlight sections of safety standards published by the American National Standards Institute and the Occupational Safety and Health Administration. This is not meant to replace those standards but only highlight certain areas.

When care is taken to ensure that the right tool is operated properly, and safety and maintenance procedures are followed, accidents can be avoided. Read and follow all instructions and directions. Comply with all rules governing the use of power tools, personal protective equipment and equipment guards.

Remember - machines, attachments and accessories must be used only for the purpose for which they were designed. Safety reasons and product liability prohibit any modifications to tools. Any attachments or accessories must be agreed to in advance with an authorized technical representative of T.C. Service Co.



The grinding equipment must be approved for the rated speed of the machine. The rated speed, marked on the machine, should not be exceeded. Be sure to learn the proper handling and storage of abrasive wheels and inserted tooling.

Inspect the wheel guard for any signs of wear and that it is properly mounted to the tool. Any guard showing signs of wear such as bends, chips, nicks, or cracks should be replaced.



Always wear eye and hearing protection, and when necessary, other personal protective equipment such as gloves, an apron, and helmet.



Airborne particulate resulting from the grinding process can cause hazards. Wear appropriate protective equipment.

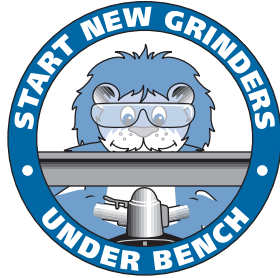
Check hose size and air pressure. The air pressure at the tool shall not exceed 90 psi (6.2 bar). All hoses should be inspected regularly and kept away from heat, oil and sharp edges. Be sure the tool is secured to the air hose.



Measure the speed of grinders every 20 hours of actual use or once per week, whichever comes first.

Measure speed of all types of grinders after maintenance or repair, whenever a grinder is issued from the tool crib and at each wheel change. Several readings should be taken.

This form of inspection should be made with the grinding wheel removed.



Proper mounting of grinding wheels and inserted tooling is crucial to safe operation and efficient working conditions. Ensure the exhaust air is directed away from bystanders.



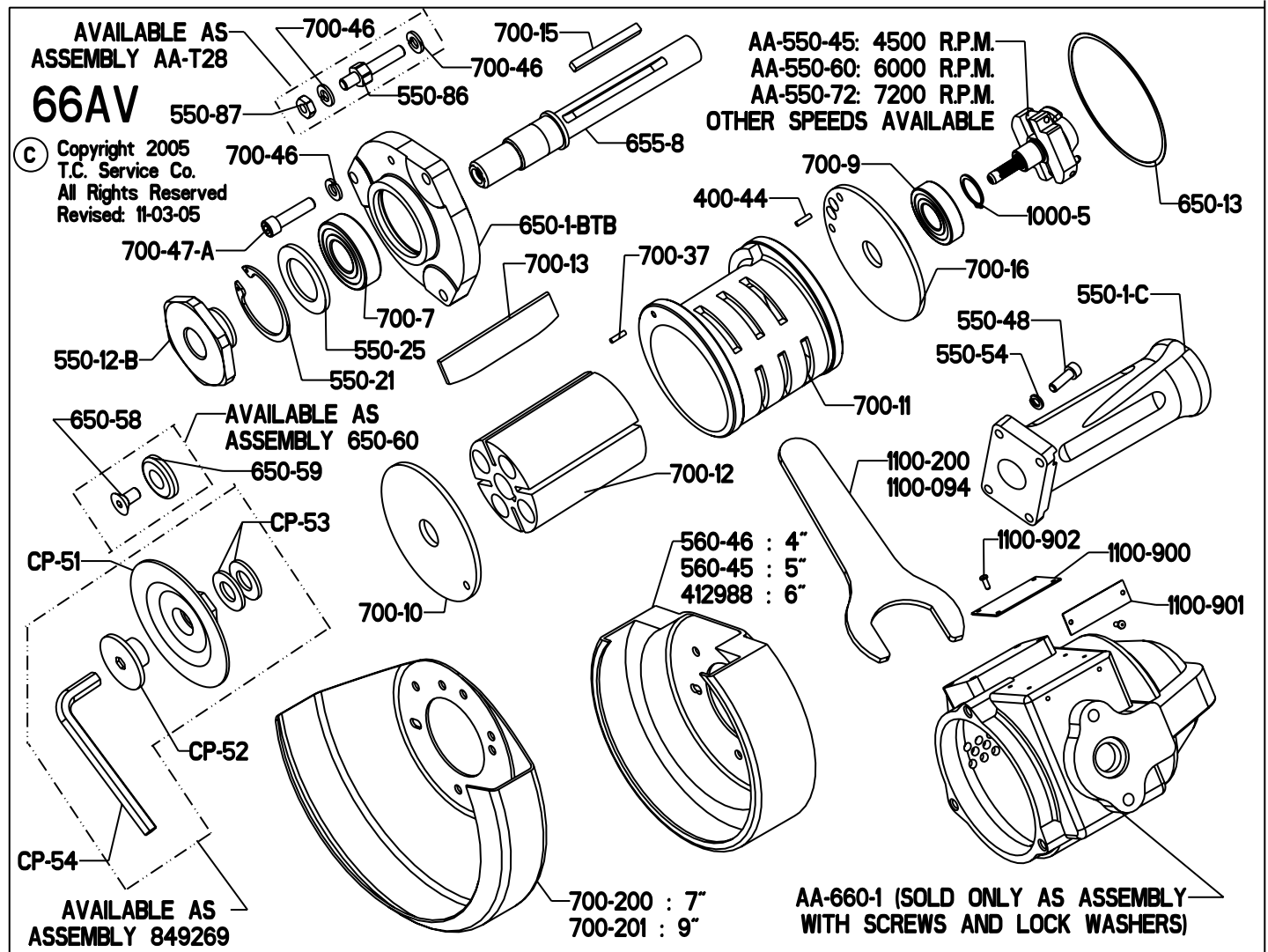
Disconnect the tool from the air supply before doing any service. This prevents accidental start-ups. Do not disassemble or adjust the governor. The governor is guaranteed for the life of the tool, if not abused.

Safety in Operation

The safety procedures for operating air tools are everyone's responsibility. The following lists several aspects of air tool safety that should be considered during operation. Please be aware of these aspects and report any unsafe practice you see to a supervisor or safety officer immediately.

- 1) Start any new wheel under a bench and away from bystanders. (Run for a minimum of one minute.)
- 2) When starting a cold/new wheel, apply to the work slowly, allowing the wheel to warm gradually.
- 3) Support the work piece properly.
- 4) When cutting off, support the work piece so that a jamming of the wheel does not occur. (A Slot shall remain constant or become wider during operation.)
- 5) If a jamming of the wheel does occur during a cutting off operation, shut the air supply off to the tool and ease the wheel free. (Inspect the wheel for damage before continuing operation.)
- 6) Ensure that sparks from the process do not create a hazard to the eyes or will ignite the environment.
- 7) Grinders shall not be used in potentially explosive atmospheres.
- 8) Pneumatically driven tools are not generally insulated from coming in contact with electrical sources. Be sure to avoid contact with wires or other possible current carrying sources.
- 9) The operator must check that no bystanders are in the vicinity.
- 10) Remember that there is a running on after the throttle has been released.
- 11) If a grinder fitted with an abrasive wheel is dropped, the wheel must be thoroughly examined before re-use.
- 12) Disconnect the tool from the air source before servicing and changing wheels.
- 13) Release the control device in case of interruption of air supply.
- 14) Always keep the tool in a clean, dry place when not in use.
- 15) Beware of loose hair and clothing so as not to become tangled or trapped during operation.
- 16) Unexpected tool movement, or breakage of wheels or tooling, may cause injuries.
- 17) Unsuitable postures may not allow counteracting of normal or unexpected movement of a power tool. (A working position shall be adopted which remains stable in the event of a break up of inserted tooling.)
- 18) Do not hold the tool near the body when operating.
- 19) Keep a firm grip on the tool body during operation.

Maintenance



Disassemble

1. Disconnect tool from air supply and remove all wheels and accessories.
2. Secure tool in a vise with motor axis in horizontal position. Clap onto the dead handle (550-1C) of grinder.
3. Remove three screws (700-47A), three lock washers (700-46) and wheel guard (700-200, 700-201, 560-45, 560-46 or 412988).
4. Grasp motor output and pull complete motor assembly from case. The motor assembly must be kept straight to pull from case easily. Try to maintain alignment as best as possible. Remove case from vise.
5. Secure motor assembly into vise vertically with governor toward upward direction. Clamp onto flats of wheel flange (550-12B).
6. Remove governor (AA-550-XX) with use of governor wrench (1100-825). (Left-hand thread)
7. Remove lock ring (1000-5) with use of snap ring pliers. Remove from vise.
8. Clamp motor assembly into vise with output pointed down. Clamp lightly onto the cylinder (700-11) and rear endplate (700-16). Place a small punch into the center of the motor spindle (650-8) where the governor was removed. Tap lightly on end of punch with a small hammer. This will drive the spindle through the rear bearing (700-9) (Be sure not to damage threads on the rear of the spindle.) (Take care not to drop the spindle assembly when it becomes free.) Remove from vise.
9. Use a small screwdriver to push the rear bearing out of the rear endplate.
10. Remove the cylinder (700-11), the rotor blades (700-13) and the rotor (700-12). Leave the key (700-15) in the key slot for now.
11. Clamp spindle holder (1100-650) into vise vertically. Align key slot in holder with key of spindle and slide spindle assembly through.
12. Remove wheel flange (550-12B). Remove from vise.
13. Remove key (700-15) and lift off front end plate (700-10).
14. Support front bearing assembly on a suitable drill block. Press spindle (650-8) through front bearing (700-9) with arbor press.
15. Remove snap ring (550-21) with use of snap ring pliers.
16. Lift out bearing cover (550-25).
17. Press out front bearing (700-7) from front bearing support (650-1-BTB).
18. To check throttle valve, unscrew throttle valve cap (700-S-26). Lift out valve spring (600-51) and throttle valve (560-13). Replace o-ring (200-9) if cracked or torn.

Assembly

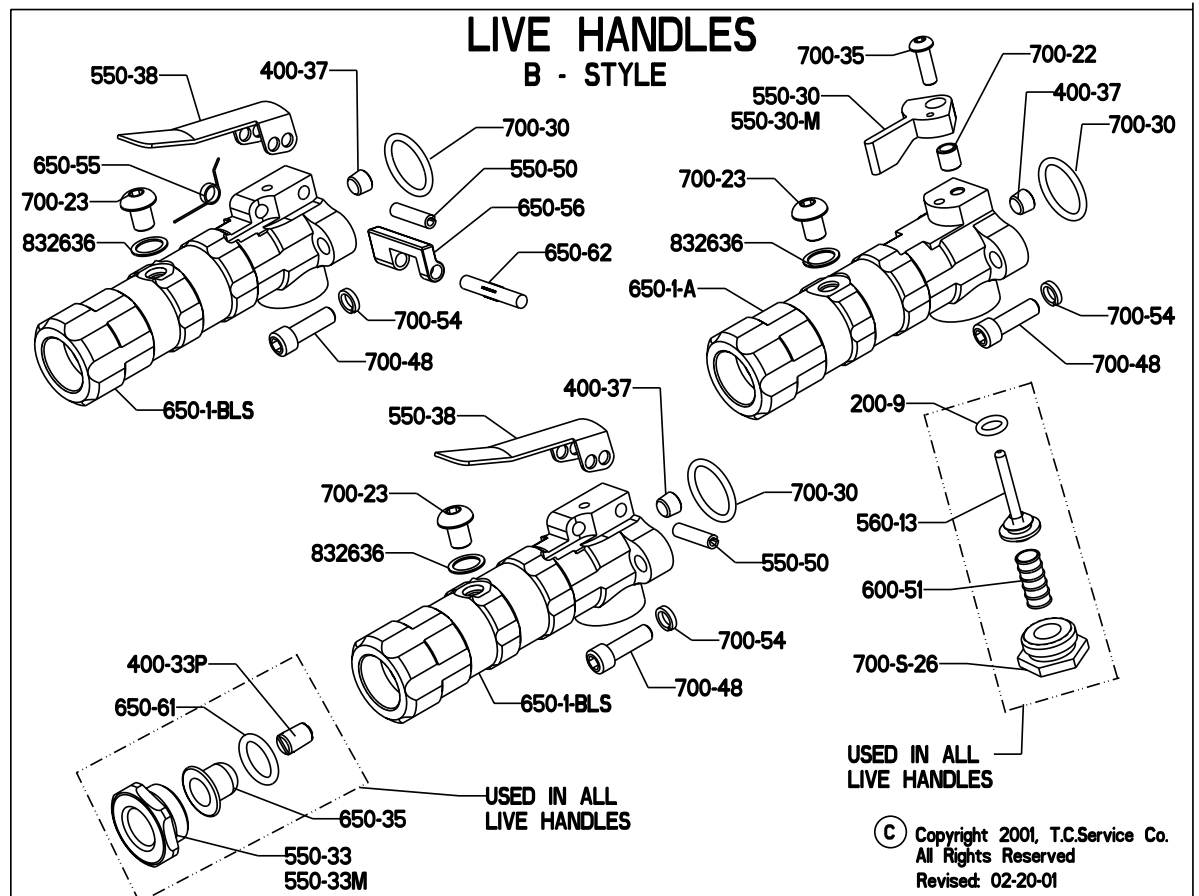
1. Be sure all parts are clean and free of any abrasive.
2. Press front bearing (700-7) into front bearing support (650-1-BTB).
3. Slip bearing cover (550-25) into front bearing support and onto front bearing.
4. Install snap ring (550-21) into groove of front bearing support with use of snap ring pliers.
5. Support front bearing assembly on a suitable drill block. Press the spindle (650-8) through the bearing up to the shoulder with an arbor press.
6. Slide front endplate (700-10) over spindle and up to front bearing support.
7. Place key (700-15) into key slot of spindle.
8. Clamp spindle holder (1100-650) in vise vertically. Align key slot in holder with key of spindle and slide spindle assembly through.
9. Thread wheel flange (550-12B) onto spindle threads and tighten. Remove from vise.
10. Secure motor assembly into vise vertically with rear of motor toward upward direction. Clamp onto flats of wheel flange (550-12B).
11. Align the cylinder pin hole in bearing support (650-1-BTB) and front endplate (700-10).
13. Slide rotor (700-12) over spindle and key.
14. Insert four blades (700-13).
15. Place cylinder (700-11) over rotor with long dowel pin toward downward direction. Dowel pin goes through hole in front endplate and front bearing support.
16. Place rear endplate (700-16) over cylinder. Locate the short dowel pin of the cylinder in the small hole of rear endplate.
17. Press bearing (700-9) into rear endplate with bearing driver (1100-808).
18. Install lock ring (1000-5) onto spindle with use of snap ring pliers. (There is no groove.)
19. Prior to reassemble inspect governor for gouges, nicks or dents. Oil the governor and inside of motor. Screw governor (AA-550-XX) into end of spindle and tighten with governor wrench (1100-825). (left hand thread).
20. Assemble live handle if this was inspected or repaired.
21. Install live and dead handles to case (660-1).
22. Secure tool in a vise with motor axis in horizontal position. Clap onto the dead handle (550-1C) of grinder.
23. Place gasket (650-13) in rear face of case.
24. Slide the motor assembly into case. The motor assembly must be kept straight to install into the case easily. Try to maintain alignment as best as possible.
25. Line up guard with motor holes. Install 3 bolts (700-47A) and lock washers (700-46). Tighten bolts down until snug then back off 1/2 turn.
26. Connect tool to air supply and apply air in several short bursts.
27. Now run tool and tighten down bolts evenly. (Alternating from corner to corner.)
28. Check RPM with a reliable tachometer. Tool must run at or below speed stamped on the tool.

Governors

The governors are warranted for the life of the tool.

(Except in cases of abuse)

Please return the governor to the manufacturer for warranty repair or replacement.



Tool Parts Listing

<u>PART</u>	<u>DESCRIPTION</u>
400-44	CYLINDER PIN
550-1C	DEAD HANDLE
550-1-C-H	HOLLOWED DEAD HANDLE
550-12B	WHEEL FLANGE
550-1-C-KN	KNURLED DEAD HANDLE
550-1-C-KN-W	DEAD HANDLE WRAP
550-21	SNAP RING
550-25	BEARING COVER
550-48	SCREW (4 REQ.)
550-54	WASHER (4 REQ.)
550-86	TYPE 28 GUARD EXTENDER (3 REQ)

550-87	NUT
600-48	GOV. PIN RETAINER
650-1-BTB	FRONT BEARING SUPPORT
650-1-BTBS	STEEL FRONT BEARING SUPPORT
650-8	SPINDLE
650-8C	CHROME SPINDLE
650-8WL	WHEEL LOCK SPINDLE
650-13	GASKET
650-58	SCREW
650-59	WASHER
700-7	BEARING
700-9	BEARING
700-10	FRONT ENDPLATE
700-10C	CHROME FRONT ENDPLATE
700-11	CYLINDER
700-11C	CHROME CYLINDER
700-12	ROTOR
700-12A	ALUMINUM ROTOR
700-13	BLADES (4 REQ.)
700-15	KEY
700-16	REAR ENDPLATE
700-16C	CHROME REAR ENDPLATE
700-34	SPINDLE NUT
700-37	CYLINDER PIN
700-46	LOCK WASHER (3 REQ.)
700-47A	SCREW (3 REQ.)
1000-5	LOCK RING

GUARDS

<u>PART</u>	<u>DESCRIPTION</u>
560-45	5" CUP GUARD
560-46	4" CUP GUARD
700-200	7" TYPE 27 GUARD
700-201	9" TYPE 27 GUARD
412988	6" CUP GUARD
412988-VA	6" CUP GUARD WITH VACUUM ATTACHMENT

TOOLS

<u>PART</u>	<u>DESCRIPTION</u>
1100-094	15/16" WRENCH
1100-200	2" WRENCH
1100-650	SPINDLE HOLDER
1100-808	700-9 BEARING DRIVER
1100-825	GOVERNOR WRENCH
1100-834	700-7 BEARING DRIVER
102-SPWR	SANDING PAD NUT WRENCH
541228	2" X 12" LONG WRENCH
CP-54	WRENCH FOR DEPRESSED WHEEL ADAPTER

ASSEMBLIES

<u>PART</u>	<u>DESCRIPTION</u>
510088	REPAIR KIT
AA-T28	TYPE 28 GUARD EXTENDER (3 REQ.)
650-50	WHEEL LOCK ASSY.
AA-650-1A	BUTTON HANDLE ASSY.
AA-650-1-AM	MACHINE MOUNT HANDLE ASSY.
AA-650-1-BL	LEVER HANDLE ASSY.
AA-650-1-BLS	SAFETY HANDLE ASSY.
AA-650-1 BL-KN	KNURLED LEVER HANDLE ASSY.
AA-650-1-BL-KN-W	KNURLED LEVER HANDLE ASSY. W/ WRAP
AA-650-1-UK	PINNED/SAFETY LEVER HANDLE ASSY.
AA-650-1-UL	PINNED LEVER HANDLE ASSY.
AA-660-1	CASE ASSY. (SPECIFY SPEED)
AA-660-1-DHE	DEAD HANDLE EXHAUST CASE ASSY. (SPECIFY SPEED)
AA-660-1-PA	PIPED AWAY EXHAUST CASE ASSY. (SPEC. SPEED)
AA-660-1-S	LEFT HAND THROTTLE CASE ASSY. (SPECIFY SPEED)

GOVERNORS

<u>PART</u>	<u>DESCRIPTION</u>
AA-550-30	GOV.ASSY. (3000 RPM)
AA-550-45	GOV.ASSY. (4500 RPM)
AA-550-60	GOV.ASSY. (6000 RPM)
AA-550-80	GOV.ASSY. (8000 RPM)
AA-550-60-LH	LH GOV. ASSY. (6000 RPM)
<ul style="list-style-type: none"> • OTHER SPEEDS AVAILABLE. • ALWAYS USE SAME OR LOWER SPEED GOVERNOR AS IS STAMPED ON CASE. 	

ACCESSORIES

<u>PART</u>	<u>DESCRIPTION</u>
849259	5/8-11 SANDING PAD NUT
889271	5/8-11 4" SANDING PAD (MAX 12000 RPM)
849848	5/8-11 5" SANDING PAD (MAX 10000 RPM)
849848-R	5/8-11 5" RIGID SANDING PAD (MAX 10000 RPM)
849850	5/8-11 6" SANDING PAD (MAX 8500 RPM)
849913	5/8-11 7" SANDING PAD (MAX 8500 RPM)
849914	5/8-11 9" SANDING PAD (MAX 6500 RPM)
849269	DEP. CENTER WHEEL ADP. KIT
CP-51	ADAPTER FLANGE FOR 849269 KIT
CP-52	5/8-11 NUT FOR 849269 KIT
CP-53	ADAPTER WASHER FOR 849269 KIT
CP-54	WRENCH FOR 849269 KIT

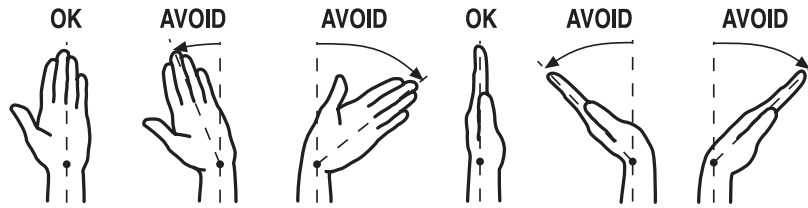
Handle Parts Listing

<u>PART NUMBER</u>	<u>DESCRIPTION</u>
200-9	THROTTLE VALVE O-RING
400-33P	OILER PLUG
400-37	SET SCREW
550-30	OPERATING BUTTON
550-30M	MACHINE MOUNT BUTTON
550-33	ADAPTER CAP
550-33M	METRIC ADAPTER CAP
550-38	LEVER
550-50	LEVER PIN
560-13	THROTTLE VALVE ASSY (INCLUDES 200-9)
600-51	THROTTLE VALVE SPRING
650-1A	BARE BUTTON HANDLE
650-1AT	BARE TURNED DOWN BUTTON HANDLE
650-1B-KN	BARE KNURLED BUTTON HANDLE
650-1-BLS	BARE LEVER HANDLE
650-1-BLS-KN	BARE KNURLED SAFETY HANDLE
650-1-U	BARE PINNED LEVER HANDLE
650-35	SCREEN BASKET
650-55	SAFETY LOCKOUT SPRING
650-56	LOCKOUT
650-61	O-RING
650-62	SAFETY LEVER LOCKOUT PIN
700-22	SPACER FOR BUTTON HANDLES
700-23	OILER PLUG SCREW
700-30	O-RING
700-35	BUTTON HANDLE SCREW
700-48	SCREW (2 REQ.)
700-54	LOCK WASHER (2 REQ.)
700-S-26	THROTTLE VALVE CAP
832636	GASKET

HANDLE ASSEMBLIES

<u>PART NUMBER</u>	<u>DESCRIPTION</u>
AA-650-1A	BUTTON HANDLE ASSY.
AA-650-1-AM	MACHINE MOUNT HANDLE ASSY.
AA-650-1-BL	LEVER HANDLE ASSY.
AA-650-1-BLS	SAFETY HANDLE ASSY.
AA-650-1 BL-KN	KNURLED LEVER HANDLE ASSY.
AA-650-1-BL-KN-W	KNURLED LEVER HANDLE ASSY. W/ WRAP
AA-650-1-UK	PINNED/SAFETY LEVER HANDLE ASSY
AA-650-1-UL	PINNED LEVER HANDLE ASSY

Ergonomics - Work Healthy



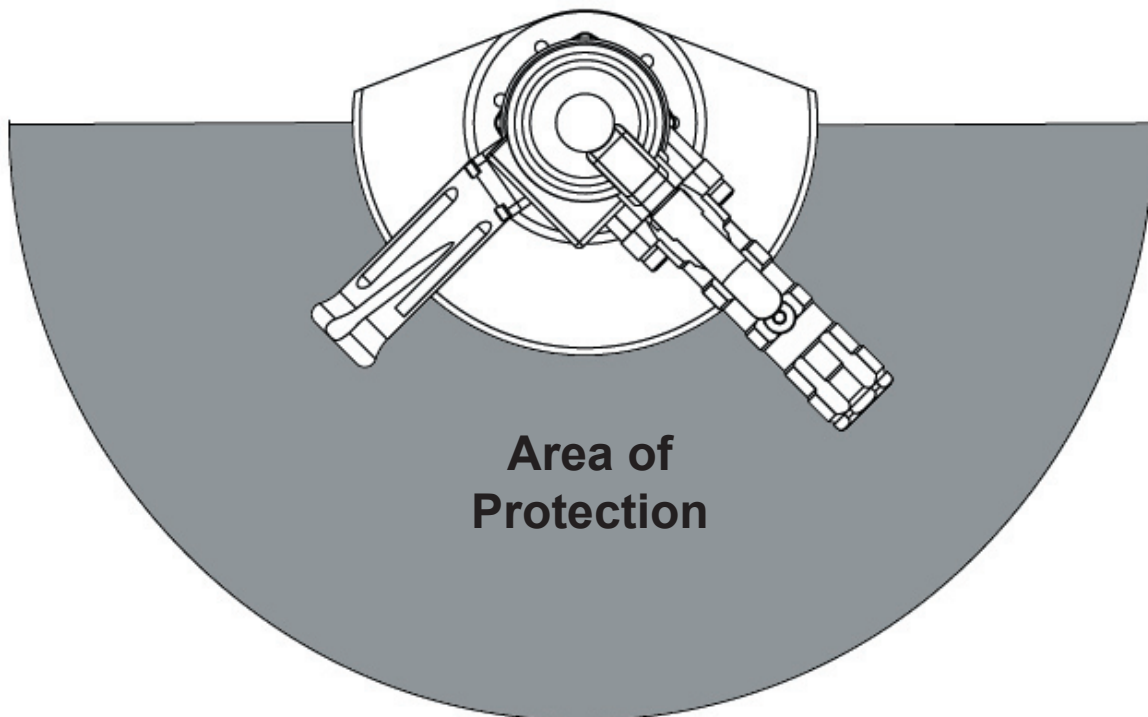
The following suggestions will help reduce or moderate the effects of repetitive work motion and/or extended vibration exposure:

- 1) Do not over-grip the machine/tool. Use only the force required to maintain control.
- 2) Keep hands and body dry and warm. (Blood flow is important - exercise hands and arms as often as necessary.)
- 3) Keep wrists as straight as possible. (Avoid hand positions that require the wrist to be flexed, hyper extended or turned side-to-side.)
- 4) Avoid anything that may inhibit blood circulation such as smoking tobacco or cold temperatures.
- 5) Do not support body-weight on the tool during operation.
- 6) Maintain a stress-free posture for the entire body.

Prolonged exposure to vibrations created by vibrating sources may cause health hazards. There are gloves, handle wraps and other forms of protective measures available to help reduce the hazard. The fit and condition of any vibration abatement measure must be monitored.

Guarding

Always make sure the wheel guard is positioned between the operator and the wheel. Flying debris from the workpiece and/or the wheel can cause a hazard. The guard should be positioned so to deflect debris from the grinding surface away from the operator. The diagram below details the proper positioning of the guard to protect any handles the operator might grip and the area where the operator stands.



Installation and Maintenance Tips

Following the guidelines will help you to ensure the pneumatic tools your company uses are operating and are maintained in the very best of condition.

Initial Inspection of a New Tool

When a new tool is delivered to your facility, it is important to inspect the tool for any signs of damage that may have occurred during shipping. Here is a list of things to inspect:

- With the tool disconnected from the air supply, depress the throttle lever or trigger. The device should move freely and not become caught.
- Inspect the guard of the tool, if so equipped. The guard should be free of any chips, nicks or dents.
- Inspect the spindle of the tool. The threads should show no signs of bends or chips. Grasp the spindle by hand and spin. The spindle should turn freely with no resistance.

Plumbing Installation

The tool must have fittings and connectors installed into the air inlet in order to connect with your company's air system. Your choice of fittings can greatly affect the performance of the tool.

Fitting Size

The size of the air inlet of the tool is the minimum size of fitting that will allow for proper airflow into the tool. Should a smaller fitting size be used such as reducers or adapters, this will constrict the airflow into the tool and reduce the overall performance.

Coupling Size and Installation

The coupling size should be equal to or larger than the inlet size of the tool. If a smaller size coupling is used then the air supply volume may be reduced which may lead to reduced performance from the tool.

The coupling should be installed near to the tool. It is important that the tool receive internal lubrication on a regular basis. Having the connection closer to the tool will promote regular lubrication, as the connection is easily accessible. Hose whips are often used between the tool and the coupling. Use thread sealant on all pipe threads and ensure a tight fit.

Operating Speed Test

After your initial inspection and installation of the plumbing connections, it is important to test for the operating speed of the tool. This test should be performed before you install any abrasive or tooling. Each tool is stamped with a maximum operating speed. This speed determines the highest rotational speed in R.P.M.'s that the tool will turn when it is functioning properly. This speed was set from the factory and is closely related to the operating speed of the abrasive used with the tool. This relationship will be discussed in the "mounting abrasives" section.

Find the maximum operating speed stamped onto the tool. Connect the tool to an air supply that provides 90 psi and secure the tool in a vise. A lower or higher air pressure will result in a false speed test and may create a hazardous situation. Depress the throttle lever or trigger and run the tool. Use a properly calibrated tachometer to determine the actual operating speed of the tool. The actual operating speed on the tachometer should be 90-95% of the maximum free speed stamped on the tool. If this is not the case then contact the distributor or tool manufacturer immediately. The tool must not be put into service if the actual speed is over 95% of the stamped maximum speed.

Example: Tool rated at 6000 R.P.M.

90% of 6000 (.90 x 6000) = 5400

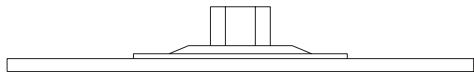
95% of 6000 (.95 x 6000) = 5700

The tool should run between 5400 and 5700 when tested with a tachometer.

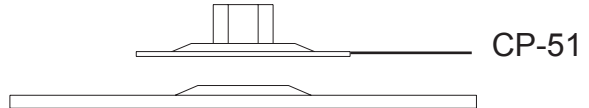
Mounting Abrasives

The mounting of the abrasive used with the tool is very important to ensure safety for the operator and proper functioning of the tool. There are strict rules for mounting wheels that are outlined in ANSI B7.1-2000. The following diagrams briefly describe the methods and equipment for mounting most abrasives.

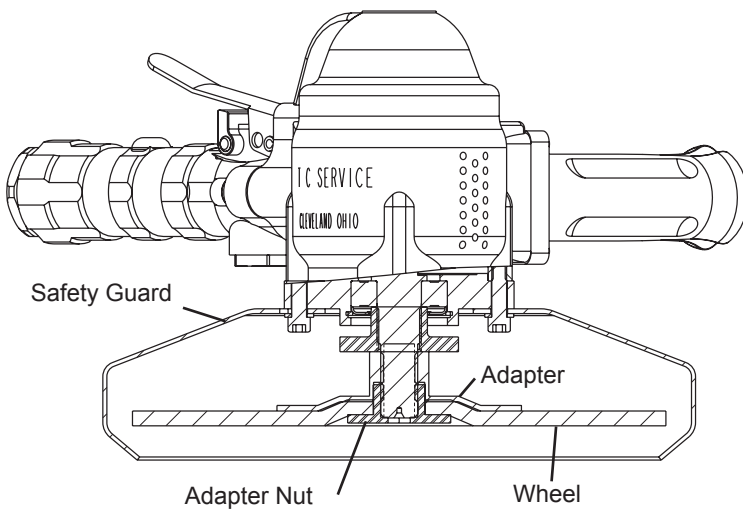
Type 27, 28 or 29 Depressed Center Wheels



Type 27 Wheel w/ Built-In Wheel Adapter



Type 27 Wheel w/o Wheel Adapter
CP-52

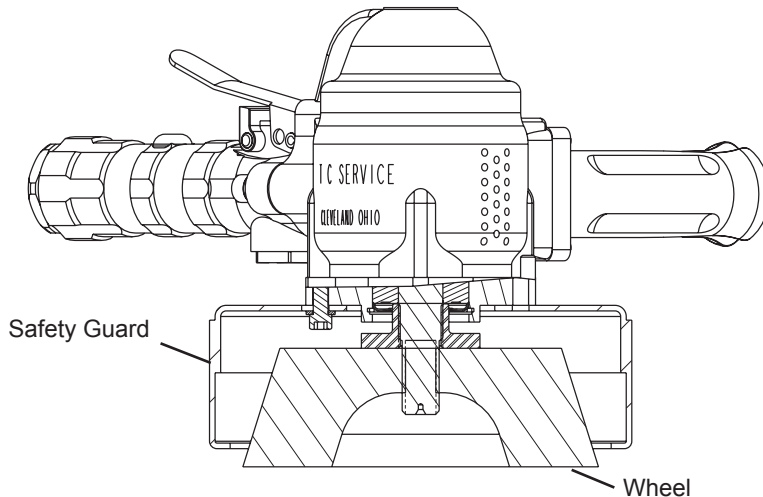


- An adapter and adapter nut are necessary to mount T27 wheel without a built-in adapter.

- Wheels with built-in adapters are mounted directly onto the tool. No additional accessories are required.

- The adapter must mount firmly against the driven flange of the tool.

Type 6 or 11 Cup Wheels



- Cup wheels are mounted directly onto the tool. No additional accessories are required.

- The cup wheel must mount firmly against the driven flange of the tool.

Each wheel is labeled with a maximum operating speed. It is extremely important to compare this rating with the maximum operating speed of the tool. Never mount a wheel on a tool where the maximum operating speed of the tool is higher than the maximum operating speed of the wheel. This can cause an over speed situation and can result in injury.

The following list details specific items one should inspect and be aware of when mounting abrasives.

- The maximum operating speed marked on the wheel must be equal to or higher than the rated spindle speed (free speed) of the tool.
- Check the wheel dimensions so that it fits within the guard properly.
- Do not use any wheel that shows cracks, chips or evidence it has been soaked in fluids.
- Wheel flanges should have flat contact surfaces and be without cracks or burrs.

Testing and Mounted Wheel

Start any new grinder with a new wheel under a bench and away from any bystanders. Run at full speed for one minute.

Ensure Proper Pressure, Filtration & Lubrication

Properly lubricated pneumatic tools work better, last longer between maintenance intervals and are safer in general use. The maintenance costs are reduced dramatically when a little time is taken to regularly lubricate the tools. There are several ways to ensure proper lubrication.

1) Filters, Regulators & Lubricators

These devices should be installed in the air system at each grinding station and inspected regularly to ensure proper operation. Each device in this set performs a vital task that greatly affects the performance of the tool and overall longevity of the component parts.

Filters

A filter is a device used to trap/contain particulate and liquid contaminants in the compressed air system. They generally have a cartridge or screen that requires cleaning or replacement regularly. Without this maintenance, the filtering device can become clogged and reduce the flow of air to the tool. A loss in performance can result.

Regulators

A regulator adjusts the operating pressure supplied to the tool. This device generally is used with a pressure gauge that will indicate the current pressure setting. All Top Cat ® pneumatic tools are designed to operate at 90 PSI (6.2 bar) while the tool is running. The tool should never be run if the pressure should exceed 90 PSI (6.2 bar).

Lubricators

Lubricators are devices that induce a controlled amount of oil into the air supply for pneumatically driven tools. They generally contain a reservoir that one must keep filled with oil. A light grade oil such as Mobil DTE light or equivalent is recommended. There is a variable setting on the lubricator that will determine the amount of oil induced into the air supply. It is important to inspect both the setting and amount of oil in the lubricator regularly to determine proper functioning of the device. The lack of oil in the air system will greatly reduce the performance and longevity of the pneumatically driven tool.

2) Direct injection of oil into the tool

A simple and easy way to ensure proper lubrication is to inject the oil directly into the tool air inlet. This should be performed prior to storage of the tool. To perform this task one must have a small container of the proper lubricating oil.

- Disconnect the tool from the air supply at the air coupling.
- Place a few drops of oil from the container into the air inlet of the tool directly.
- Reconnect the tool to the air supply.
- Direct the exhaust of the tool away from any bystanders or cover the exhaust with a shop rag.
- Run the tool until the oil has completely passed through the unit.

The best lubrication techniques include both methods.

What Conditions Indicate the Need for Maintenance?.

Pneumatic tools will exhibit several distinct signs that maintenance is required. Higher costs can be avoided if maintenance is performed when the first signs are evident. The following list details conditions that may indicate the necessity for service.

- 1) With the tool disconnected from the air supply, grasp the spindle and spin in the direction of operation. The spindle should spin freely with no resistance.
- 2) With the tool disconnected from the air supply, grasp the spindle by hand. Attempt to move the spindle from side to side and back and forth. Excess play can be a sign that service is required.
- 3) A reduction in power may indicate the necessity for maintenance.
- 4) Should the tool not maintain a uniform operating speed, servicing may be required.

For More Information

1) General Industry Safety & Health Regulations 29 CFR, Part 1910 and where applicable Construction Industry Safety & Health Regulations 29 CFR, Part 1926 available from Superintendent of Documents, Gov't. Printing Office, Washington, D.C. 20402.

2) Safety Code For Portable Air Tools, ANSI B186.1, B7.1 and Z87.1, available from American National Standards Institute, Inc. 1430 Broadway, New York, NY 10018

Grinders

- Vertical Grinders
- Horizontal Grinders
- Right Angle Grinders
- Die Grinders
- Extended Grinders
- Bench Grinders

Polishers

- Vertical Polishers
- Horizontal Polishers
- Right Angle Polishers

Percussion Tools

- Scalars
- Needle Scalars
- Chipping Hammers
- Rammers

Saws

Air Motors



T.C. Service Co.
38285 Pelton Rd.
Willoughby, OH 44094
U.S.A.
Ph: 440-954-7500
Fax: 440-954-7118

© Copyright 2004
All Rights Reserved