



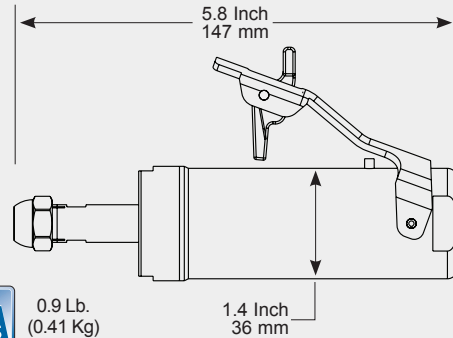
TOP CAT

New Product Release

The new GC25 & GR12/GR20 economy line grinders are the latest offering amongst the Top Cat® products. These are an American made alternative to imported tools commonly seen in industry.

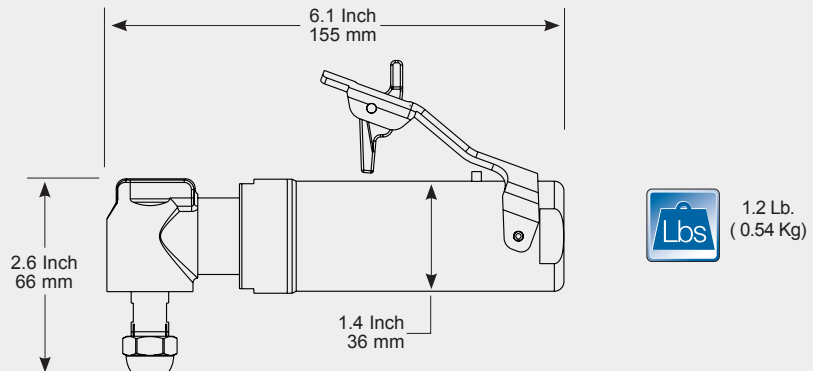
New Die Grinders

Model Number	Operating Speed	Handle Style	Price
GC25	25000 RPM	Lever	\$130.00 US
GC25K		Safety Lever	\$140.00 US



Model Number	Operating Speed	Handle Style	Price
GR12	12000 RPM	Lever	\$170.00 US
GR12K		Safety Lever	\$180.00 US
GR20	20000 RPM	Lever	\$170.00 US
GR20K		Safety Lever	\$180.00 US

New Right Angle Die Grinders



HP
0.4 H.P.
(300 W)

cfm
18 cfm
(8.5 L/s)



- Castings Made in MI
- Tools made in OH



T.C. SERVICE

T. C. Service Co. • 38285 Pelton Rd. • Willoughby, OH 44094 USA
 Phone: 440-954-7500 • Fax: 440-954-7118 • Email: sales@tcservice.com
 Web: www.tcservice.com